



# LENZ

## P R E S S U R E   G A U G E S



GLYCERINE FILLED GAUGES  
DRY GAUGES  
PROCESS GAUGES  
PRESSURE TRANSMITTERS  
WATER GUGES

GAUGE ISOLATORS  
SIPHONS  
CHEMICAL SEALS  
BI METAL THERMOMETERS  
AMMONIA GAUGES

# LENZ

PHONE: 937/277-9364 FAX: 937/277-6516 [www.lenzinc.com](http://www.lenzinc.com)



## PRESSURE GAUGES

## SECTION C

SERIES

Page

<b>PG</b>	Product Overview Photo		
	Product Overview Index		
	Features of Lenz Gauges	1c	
<b>BAC-25</b>	Glycerine 2.5" Dial Brass Case	2c	
<b>AFC-25</b>	Glycerine 2.5" Dial Stainless Case	3c	
<b>LNZ-25</b>	Glycerine 2.5" Dial ABS Case	4c	
<b>SS-25</b>	Glycerine 2.5" Dial Stainless Case & Internals	5c	
<b>AFC-20</b>	Glycerine 2" Dial Stainless Case	6c	<b>New Models</b>
<b>LZ15, LZ20</b>	Dry 1.5" & 2" Dial ABS Case	7c	<b>New Models</b>
<b>LZ-25</b>	Dry 2.5" Dial Steel Case	8c	
<b>BAC-4</b>	Glycerine 4.0" Dial Brass Case	9c	
<b>AFC-4</b>	Glycerine 4.0" Dial Stainless Case	10c	
<b>SS-4</b>	Glycerine 4.0" Dial Stainless Case & Internals	11c	
<b>PRO 45</b>	Process 4.5" Dial, ABS Case	12c	<b>New Model</b>
<b>LOW-25</b>	Dry 2.5" Dial, Steel Capsule & Case	13c	<b>New Models</b>
<b>AMM-25</b>	Dry 2.5" Refrigeration Stainless Case	14c	<b>New Models</b>
<b>BMT</b>	Bi-Metal, 3" & 5" Dial Stainless Case	15c	
<b>LZT</b>	Transducer	16c/17c	<b>New Models</b>
<b>GV, HDS, MS</b>	Gauge Isolators, Siphons, Chemical Seals	18c	
	Gauge Options	19c	
	Notes	20c	





# Built For SUPERIOR Performance



BAC



AFC



SS

Lenz offers you a pressure gauge that gives extra long life and superior performance under the most difficult job conditions.

The Lenz Series Glycerin-Filled Gauges offer you the finest choice in gauges where severe pulsation, vibration and corrosive atmosphere are factors. The glycerin serves to permanently lubricate and prevent corroding of the movement, effectively dampens pulsation and vibration to the degree that there is no pointer flutter or oscillation. Completely sealed . . . steam, gas or any fluids are kept out, there is never any condensation and clear visibility of the dial is always assured.

These gauges will last years and years longer than ordinary gauges and provide accurate and positive reading at all times. The built-in dampening mechanism requires no adjustment after installation . . . there is nothing better.

While principally offered to the hydraulics field, these gauges have many other applications in refineries, petrochemicals, and in many manufacturing industries.

Rugged, accurate and dependable, these Lenz pressure gauges promise the reliable, long-term service and performance required by today's diversified needs.

## Outstanding Features of LENZ Pressure Gauges

- Glycerin or Silicone should not be used in applications involving oxidizing media such as oxygen, chlorine, nitric acid, hydrogen peroxide and others, because of the danger of a spontaneous chemical reaction.

### DIAL FACE

White coated aluminum face with black coated aluminum pointer.

### UNBREAKABLE LENS

Completely sealed unbreakable plexiglass lens gives long life under the most rugged conditions.

### BOURDON TUBE

Copper alloy up to 800 PSI safety coiled copper alloy for 800 PSI and higher.

### BOURDON TUBE 4" GAUGE

Copper alloy up to 1500 PSI safety coiled alloy steel, 1500 PSI and higher.

### SERVICE

In case blow-out plug operation is necessary, the gauge can be serviced in the field for refilling glycerin.

### SUPERIOR BRASS MOVEMENT

Precision machined and highly finished bearing surfaces are practically frictionless providing dependable accuracy. The movement of all internal parts is permanently sealed and dampened by the glycerin fluid. The effects of pulsation and vibration are virtually eliminated. No pointer flutter.

### SAFETY BLOW-OUT PLUG

A rubber disc relief valve, located on top of the gauge, vents case pressure build-up at 5 PSI. Acts as a filler cap.

### RESTRICTOR

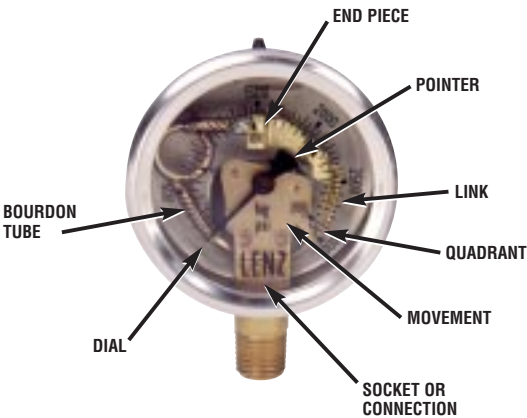
Assists in dampening, acts much like a pressure snubber.

### INDIVIDUALLY PACKED

Boxed in rugged corrugated mailer type boxes for protection during shipping or on the shelf.

### HOW TO SELECT THE PROPER GAUGE-

*The proper gauge for your application should read at least 60% above the maximum pressure of the system so that the maximum reading would be approximately in the middle of the dial. To order a gauge: (1) Select the type of gauge; (2) Choose the dial size; (3) Determine the pressure range from appropriate table; (4) Give correct model number from same tables; (5) Add suffix "FF" for Brass Front Flange, "FFC" for Chrome Front Flange and "UC" for U-Clamp to Model Number.*



### FRONT FLANGES

Flanges ordered with gauge are installed at factory. May be purchased separately and added at a later date.

Dimensions: For 2 1/2" Gauge Flange - (3) 9/64" Holes On 2 15/16" Bolt Circle, 35/16" O.D.  
Dimensions: For 4" Gauge Flange - (3) 3/16" Holes On 4 9/16" Bolt Circle, 5 3/16" O.D.





## BAC-25 Brass Case

**Dial Size:** 2 1/2" Glycerin Filled  
**Pressure Ranges:** 30" HG to 15,000 PSI/Bar (Dual Scale)  
**Accuracy:** Within 1.5% of Maximum Graduation  
**Case:** Forged Brass With Polished Brass ABS  
**Bourdon Tube:** Copper Alloy-Up to 800 PSI  
 Safety Coiled Copper Alloy for 800 P.S.I. and Higher  
**Movement:** Brass With Highly Finished Bearing Surfaces  
**Connection:** 1/4" Male NPT Brass Bottom or Rear Center Connection  
*(Optional Threads See Page 19c)*  
**Safety Blow-Out Plug Included.**  
**Restrictors Standard to Restrict Pulsations.**

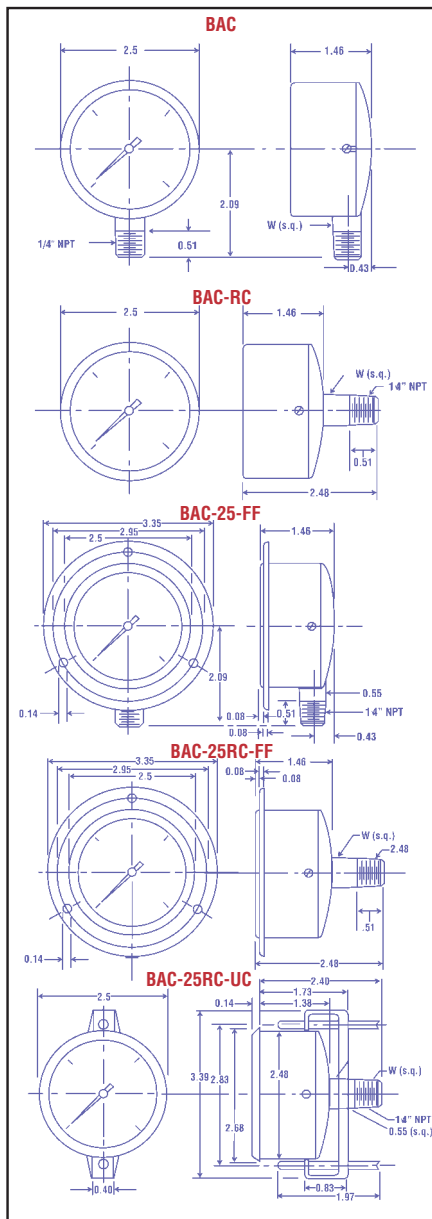
### BAC-25 MOUNTING OPTIONS, ADD SUFFIX:

"FF" for Brass Front Flange - Example: BAC-5M-25RC-FF  
 "FFC" for Chrome Front Flange - Example: BAC-160-25RC-FFC  
 "UC" for U-Clamp - Example: BAC-3M-25RC-UC



"BAC-25"

**BAC-25 Series Brass Case**, glycerin filled are designed for rugged application due to the bourdon tube being brazed to the one-piece brass case/ socket. LENZ Brass pressure gauges are known for their reliability in the field where vibrations and pulsation can occur.



ST'D. BOTTOM MOUNT MODEL NUMBER	REAR CENTER MOUNT MODEL NUMBER	FULL RANGE		FIGURE INTERVAL		GRADUATION INTERVAL	
		ENGLISH PSI	METRIC BAR	PSI	BAR	PSI	BAR
BAC-15-25	BAC-15-25RC	0-15	0-1	3	.2	.25	.02
BAC-30-25	BAC-30-25RC	0-30	0-2	5	.5	.5	.05
BAC-60-25	BAC-60-25RC	0-60	0-4	10	1	1	.1
BAC-100-25	BAC-100-25RC	0-100	0-7	20	1	2	.2
BAC-160-25	BAC-160-25RC	0-160	0-10	20	2	2	.2
BAC-200-25	BAC-200-25RC	0-200	0-14	20	2	4	.2
BAC-300-25	BAC-300-25RC	0-300	0-20	50	5	5	.5
BAC-400-25	BAC-400-25RC	0-400	0-28	50	5	5	.5
BAC-500-25	BAC-500-25RC	0-500	0-35	100	10	5	.5
BAC-600-25	BAC-600-25RC	0-600	0-42	100	10	10	1
BAC-800-25	BAC-800-25RC	0-800	0-56	100	10	10	1
BAC-1M-25	BAC-1M-25RC	0-1000	0-70	200	10	10	2
BAC-1500-25	BAC-1500-25RC	0-1500	0-100	300	20	25	2
BAC-2M-25	BAC-2M-25RC	0-2000	0-140	400	20	25	2
BAC-3M-25	BAC-3M-25RC	0-3000	0-210	500	50	50	5
BAC-5M-25	BAC-5M-25RC	0-5000	0-350	1000	50	100	5
BAC-6M-25	BAC-6M-25RC	0-6000	0-420	1000	100	100	10
BAC-7500-25	BAC-7500-25RC	0-7500	0-510	1000	100	100	10
BAC-10M-25	—	0-10000	0-700	2000	200	200	10
BAC-15M-25	BAC-15M-25RC	0-15000	0-1000	3000	200	500	50

## 2 1/2" Glycerin-Filled Dual Scale Vacuum Gauges

ST'D. BOTTOM MOUNT MODEL NUMBER	REAR CENTER MOUNT MODEL NUMBER	FULL RANGE		FIGURE INTERVAL		GRADUATION INTERVAL	
		ENGLISH HG	METRIC BAR	HG	BAR	HG	BAR
BAC-30HG-25	BAC-30HG-25RC	0-30"	0-1	5	.2	1	.02

## Compound Gauges-Vacuum to Pressure

Use where pressures may vary from above atmospheric to below atmospheric.

ST'D. BOTTOM MOUNT MODEL NUMBER	REAR CENTER MOUNT MODEL NUMBER	FULL RANGE		FIGURE INTERVAL	
		ENGLISH HG & PSI	METRIC BAR	HG & PSI	BAR
BAC-30-15-25	BAC-30-15-25RC	30"-0-15	-1-0-1	10" & 5	.2 & .2
BAC-30-30-25	BAC-30-30-25RC	30"-0-30	-1-0-2	10" & 10	1 & 1
BAC-30-60-25	BAC-30-60-25RC	30"-0-60	-1-0-4	10" & 10	1 & 1
BAC-30-100-25	BAC-30-100-25RC	30"-0-100	-1-0-7	30" & 20	1 & 1
BAC-30-160-25	BAC-30-160-25RC	30"-0-160	-1-0-10	30" & 20	1 & 2
BAC-30-200-25	BAC-30-200-25RC	30"-0-200	-1-0-14	30" & 40	1 & 2





## AFC-25 Stainless Steel Case

**Dial Size:** 2 1/2" Glycerin Filled  
**Pressure Ranges:** 30" HG to 15,000 PSI/Bar (Dual Scale)  
**Accuracy:** Within 2.0% of Maximum Graduation  
**Case:** 304SS Stainless Steel  
**Bourdon Tube:** Phosphor Bronze  
**Movement:** Brass with Highly Finished Bearing Surfaces  
**Connection:** 1/4" Male NPT Brass Bottom or Rear Center Connection  
*(Optional Threads See Page 19c)*

**Safety Blow-Out Plug Included/Restrictors Standard**

**AFC-25RC (REAR CENTER) MOUNTING OPTIONS, ADD SUFFIX:**

“FF” for Polished Stainless Steel Front Flange - Example: AFC-5M-25RC-FF

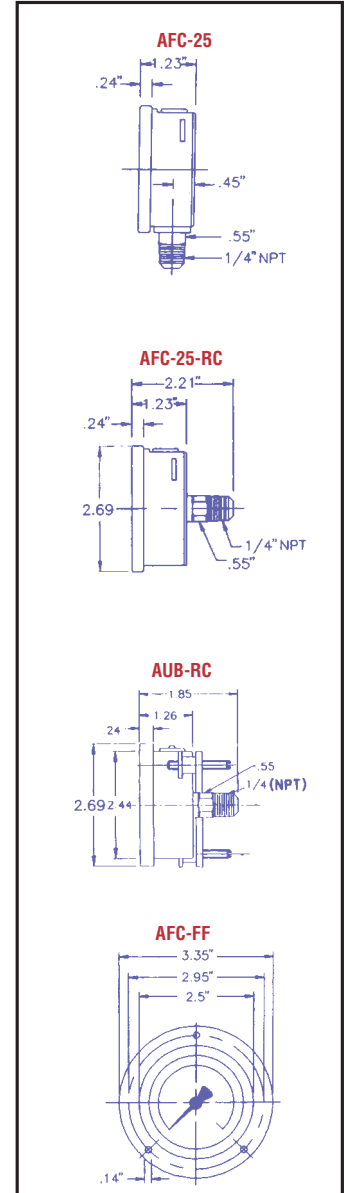
“U-Clamp” Models, Model Number Changes to “AUB” - See Chart Below



“AFC-25”

Lenz's AFC-25 Series Pressure Gauges feature a stainless steel case, brass stem, glycerin filled which are ideal for severe pulsation, vibration and where corrosive atmospheres are a factor. These Lenz pressure gauges are perfect for the original equipment manufacturers (O.E.M.) and other hydraulic and pneumatic equipment due to being cost effective.

ST'D. BOTTOM MOUNT MODEL NUMBER	REAR CENTER MOUNT MODEL NUMBER	PANEL MOUNT U-CLAMP MODEL NUMBER	FULL RANGE		FIGURE INTERVAL		GRADUATION INTERVAL	
			ENGLISH PSI	METRIC BAR	PSI	BAR	PSI	BAR
AFC-15-25	AFC-15-25RC	AUB-15-25RC	0-15	0-1	3	.2	.25	.02
AFC-30-25	AFC-30-25RC	AUB-30-25RC	0-30	0-2	5	.5	.5	.5
AFC-60-25	AFC-60-25RC	AUB-60-25RC	0-60	0-4	10	1	1	.1
AFC-100-25	AFC-100-25RC	AUB-100-25RC	0-100	0-7	20	2	2	.1
AFC-160-25	AFC-160-25RC	AUB-160-25RC	0-160	0-10	20	2	2	.2
AFC-200-25	AFC-200-25RC	AUB-200-25RC	0-200	0-14	40	4	4	.4
AFC-300-25	AFC-300-25RC	AUB-300-25RC	0-300	0-20	50	5	5	.5
AFC-400-25	AFC-400-25RC	AUB-400-25RC	0-400	0-28	50	5	5	.5
AFC-500-25	AFC-500-25RC	AUB-500-25RC	0-500	0-35	100	5	10	.5
AFC-600-25	AFC-600-25RC	AUB-600-25RC	0-600	0-40	100	10	10	1
AFC-800-25	AFC-800-25RC	AUB-800-25RC	0-800	0-56	100	10	10	1
AFC-1M-25	AFC-1M-25RC	AUB-1M-25RC	0-1000	0-70	200	20	20	1
AFC-1500-25	AFC-1500-25RC	AUB-1500-25RC	0-1500	0-100	300	20	50	5
AFC-2M-25	AFC-2M-25RC	AUB-2M-25RC	0-2000	0-140	400	40	40	4
AFC-3M-25	AFC-3M-25RC	AUB-3M-25RC	0-3000	0-210	500	50	50	5
AFC-4M-25	AFC-4M-25RC	AUB-4M-25RC	0-4000	0-300	500	50	50	5
AFC-5M-25	AFC-5M-25RC	AUB-5M-25RC	0-5000	0-350	1000	100	100	10
AFC-6M-25	AFC-6M-25RC	AUB-6M-25RC	0-6000	0-420	1000	100	100	10
AFC-7500-25	AFC-7500-25RC	AUB-7500-25RC	0-7500	0-420	1000	100	100	10
AFC-10M-25	AFC-10M-25RC	AUB-10M-25RC	0-10000	0-700	2000	200	200	10
AFC-15M-25	AFC-15M-25RC	AUB-15M-25RC	0-15000	0-1000	3000	200	500	50



## 2 1/2" Stainless Case-Brass Movement Compound Gauges

ST'D. BOTTOM MOUNT MODEL NUMBER	REAR CENTER MOUNT MODEL NUMBER	PANEL MOUNT CLAMP REAR CENTER MOUNT MODEL NUMBER	FULL RANGE		FIGURE INTERVAL	
			ENGLISH HG & PSI	METRIC BAR	ENGLISH HG & PSI	METRIC BAR
AFC-30-30-25	AFC-30-30-25RC	AUB-30-30-25RC	30"-0-30	-1-0-2	10" & 10	1 & 1
AFC-30-60-25	AFC-30-60-25RC	AUB-30-60-25RC	30"-0-60	-1-0-4	10" & 10	1 & 1
AFC-30-100-25	AFC-30-100-25RC	AUB-30-100-25RC	30"-0-100	-1-0-7	30" & 20	1 & 1
AFC-30-200-25	AFC-30-200-25RC	AUB-30-200-25RC	30"-0-200	-1-0-14	30" & 40	1 & 2

## 2 1/2" Stainless Case-Brass Movement Vacuum Gauges

ST'D. BOTTOM MOUNT MODEL NUMBER	REAR CENTER MOUNT MODEL NUMBER	PANEL MOUNT CLAMP REAR CENTER MOUNT MODEL NUMBER	FULL RANGE		FIGURE INTERVAL		GRADUATION INTERVAL	
			ENGLISH HG	METRIC BAR	HG	BAR	HG	BAR
AFC-30HG-25	AFC-30HG-25RC	AUB-30HG-25RC	0-30"	0-1	5	.2	1	.02





## LNZ-25 ABS Case

**Dial Size:** 2 1/2" Glycerin Filled

**Pressure Ranges:** 30" HG to 6,000 PSI/Bar (Dual Scale)

**Accuracy:** Within 2.0% of Maximum Graduation

**Case:** ABS (Acrylnitril Butadien Styrol)

**Bourdon Tube:** Phosphor Bronze - Up to 600 P.S.I.,  
Stainless Steel Coiled Tube for 600 PSI  
and Higher Pressures

**Movement:** Brass and Delrin<sup>®</sup> W/Highly Finished Bearing Surfaces

**Connection:** 1/4" Male NPT Brass Bottom or Rear Center Connection

*(Optional Threads See Page 19c)*

**Safety Blow-Out Disc Included**

**Restrictors Standard to Restrict Pulsations**

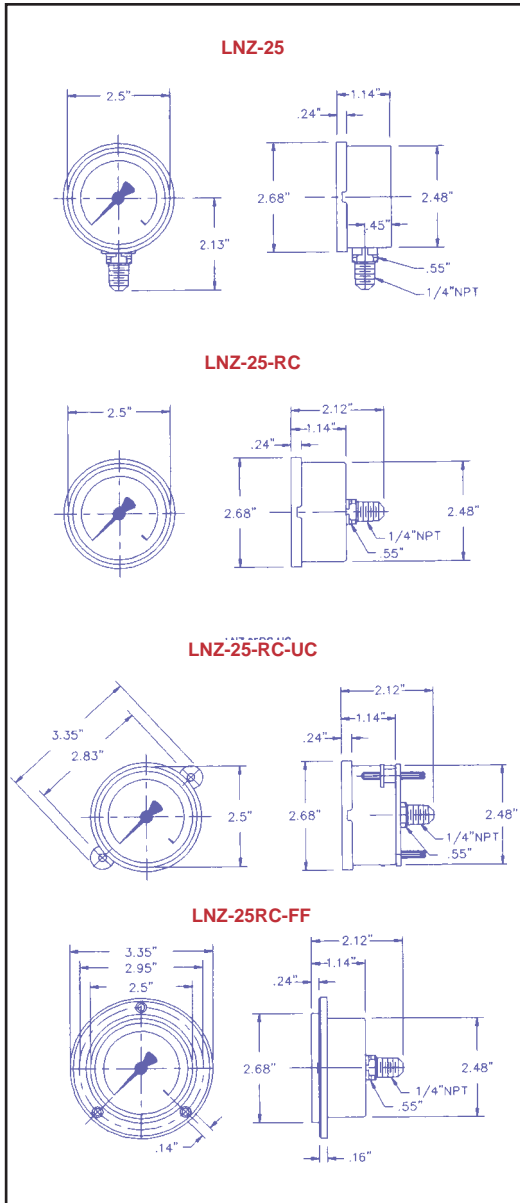
**LNZ-25-RC MOUNTING OPTIONS, ADD SUFFIX:**

"FF" for Black Front Flange - Example: LNZ-160-25RC-FF

"UC" for U-Clamp Panel Mounting - Example: LNZ-3M-25RC-UC



"LNZ-25"



**LNZ-25 Series ABS Case Pressure Gauges** featuring an ABS glycerin filled case, brass stem, are ideal for severe pulsation, vibration and where corrosive atmospheres are factors. These Lenz pressure gauges are perfect for the original equipment manufacturers (O.E.M.) and other hydraulic and pneumatic equipment due to being cost effective.

ST'D. BOTTOM MOUNT MODEL NUMBER	REAR CENTER MOUNT MODEL NUMBER	FULL RANGE		FIGURE INTERVAL		GRADUATION INTERVAL	
		ENGLISH PSI	METRIC BAR	PSI	BAR	PSI	BAR
LNZ-15-25	LNZ-15-25RC	0-15	0-1	3	.2	.25	.02
LNZ-30-25	LNZ-30-25RC	0-30	0-2	5	.5	.5	.05
LNZ-60-25	LNZ-60-25RC	0-60	0-4	10	1	1	.1
LNZ-100-25	LNZ-100-25RC	0-100	0-7	20	1	2	.2
LNZ-160-25	LNZ-160-25RC	0-160	0-10	20	2	2	.2
LNZ-200-25	LNZ-200-25RC	0-200	0-14	20	2	4	.2
LNZ-300-25	LNZ-300-25RC	0-300	0-20	50	5	5	.5
LNZ-400-25	LNZ-400-25RC	0-400	0-28	50	5	5	.5
LNZ-500-25	LNZ-500-25RC	0-500	0-35	100	5	10	.5
LNZ-600-25	LNZ-600-25RC	0-600	0-42	100	10	10	1
LNZ-800-25	LNZ-800-25RC	0-800	0-56	100	10	10	1
LNZ-1M-25	LNZ-1M-25RC	0-1000	0-70	200	10	20	2
LNZ-1500-25	LNZ-1500-25RC	0-1500	0-100	300	20	25	2
LNZ-2M-25	LNZ-2M-25RC	0-2000	0-140	400	20	25	2
LNZ-3M-25	LNZ-3M-25RC	0-3000	0-210	500	50	50	5
LNZ-5M-25	LNZ-5M-25RC	0-5000	0-350	1000	50	100	5
LNZ-6M-25	LNZ-6M-25RC	0-6000	0-420	1000	100	100	10

## 2 1/2" Glycerin-Filled Dual Scale Vacuum Gauges

ST'D. BOTTOM MOUNT MODEL NUMBER	REAR CENTER MOUNT MODEL NUMBER	FULL RANGE		FIGURE INTERVAL		GRADUATION INTERVAL	
		ENGLISH HG	METRIC BAR	HG	BAR	HG	BAR
LNZ-30HG-25	LNZ-30HG-25RC	0-30"	0-1	5	.2	1	.02





## SS-25 Stainless Steel Case-Stainless Movement

- Dial Size: 2 1/2" Glycerin Filled
- Pressure Ranges: 30" HG to 15,000 PSI/Bar (Dual Scale)
- Accuracy: Within 1.0% of Maximum Graduation
- Case: Stainless Steel
- Bourdon Tube: 316 Stainless Steel
- Movement: 316 Stainless Steel with Highly Polished Bearing Surfaces
- Connection: 1/4" Male NPT, 316 Stainless Steel
- Safety Blow-Out Plug Included
- Restrictors Standard

**SS-25-RC (REAR CENTER) MOUNTING OPTIONS, ADD SUFFIX:**  
**"FF"** for Polished Stainless Steel Front Flange - Example: SS-1M-25RC-FF  
**"UC"** for Stainless Steel U-Clamp - Example: SS-3M-25RC-UC



"SS-25"

**SS-25 Series All Stainless Steel Pressure Gauges** feature a stainless steel case, 316 stainless steel bourdon tube and stem, glycerin filled for severe punishment and years of service in the field. LENZ SS-25 series are highly accurate within 1% of full scale.

ST'D. BOTTOM MOUNT MODEL NUMBER	REAR CENTER MOUNT MODEL NUMBER	FULL RANGE		FIGURE INTERVAL		GRADUATION INTERVAL	
		ENGLISH PSI	METRIC BAR	PSI	BAR	PSI	BAR
SS-30-25	SS-30-25RC	0-30	0-2	5	.5	.5	.05
SS-60-25	SS-60-25RC	0-60	0-4	10	1	1	.1
SS-100-25	SS-100-25RC	0-100	0-7	20	2	2	.1
SS-160-25	SS-160-25RC	0-160	0-10	20	2	2	.2
SS-200-25	SS-200-25RC	0-200	0-14	40	4	4	.4
SS-300-25	SS-300-25RC	0-300	0-20	50	5	5	.5
SS-600-25	SS-600-25RC	0-600	0-40	100	10	10	1
SS-1M-25	SS-1M-25RC	0-1000	0-70	200	20	20	1
SS-1500-25	SS-1500-25RC	0-1500	0-100	300	20	50	5
SS-2M-25	SS-2M-25RC	0-2000	0-140	400	40	40	4
SS-3M-25	SS-3M-25RC	0-3000	0-210	500	50	50	5
SS-5M-25	SS-5M-25RC	0-5000	0-350	1000	100	100	10
SS-6M-25	SS-6M-25RC	0-6000	0-420	1000	100	100	10
SS-10M-25	SS-10M-25RC	0-10000	0-700	2000	200	200	10
SS-15M-25	SS-15M-25RC	0-15000	0-1000	3000	200	500	50

## 2 1/2" Stainless Steel

### Compound Gauges • Standard Ranges

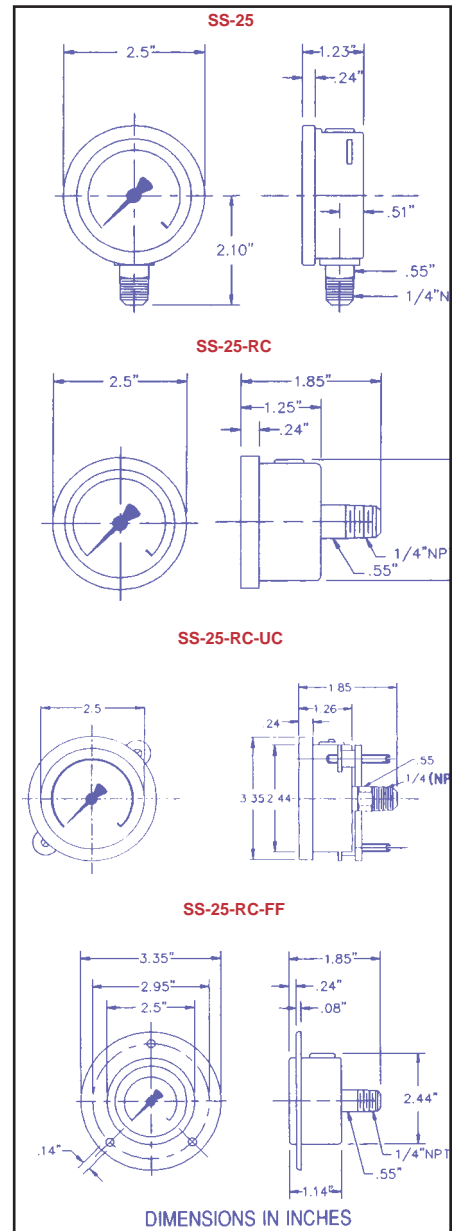
Use where pressures may vary from above atmospheric to below atmospheric.

ST'D. BOTTOM MOUNT MODEL NUMBER	REAR CENTER MOUNT MODEL NUMBER	FULL RANGE		FIGURE INTERVAL	
		ENGLISH HG & PSI	METRIC BAR	ENGLISH HG & PSI	METRIC BAR
SS-30-30-25	SS-30-30-25RC	30"-0-30	-1-0-2	10" & 10	1 & 1
SS-30-60-25	SS-30-60-25RC	30"-0-60	-1-0-4	10" & 10	1 & 1
SS-30-160-25	SS-30-160-25RC	30"-0-160	-1-0-10	30" & 20	1 & 2

## Vacuum Gauges

Use where pressures may vary from above atmospheric to below atmospheric.

ST'D. BOTTOM MOUNT MODEL NUMBER	FULL RANGE		FIGURE INTERVAL		GRADUATION INTERVAL	
	ENGLISH HG	METRIC BAR	HG	BAR	HG	BAR
SS-30HG-25	0-30"	0-1	5	2	1	.02
SS-30HG-25RC	0-30"	0-1	5	2	1	.02







## AFC-20 Stainless Steel Case

**Dial Size:** 2" Glycerin Filled

**Pressure Ranges:** 30" HG to 5,000 PSI/Bar (Dual Scale)

**Accuracy:** Within 2.0% of Maximum Graduation

**Case:** Stainless Steel

**Bourdon Tube:** Phosphor Bronze

**Movement:** Brass with Highly Polished Bearing Surfaces

**Connection:** 1/8" Standard and (1/4" NPT, Optional)

Bottom Connection or Rear Center

**Safety Blow-Out Plug Included / Restrictors Standard**

**AFC-20-RC MOUNTING OPTIONS, ADD SUFFIX:**

"FF" for Polished Stainless Steel Front Flange

Example: AFC-160-20RC-FF

"U-Clamp" Models, Model Number Changes to "AUB"



"AFC-20RC"

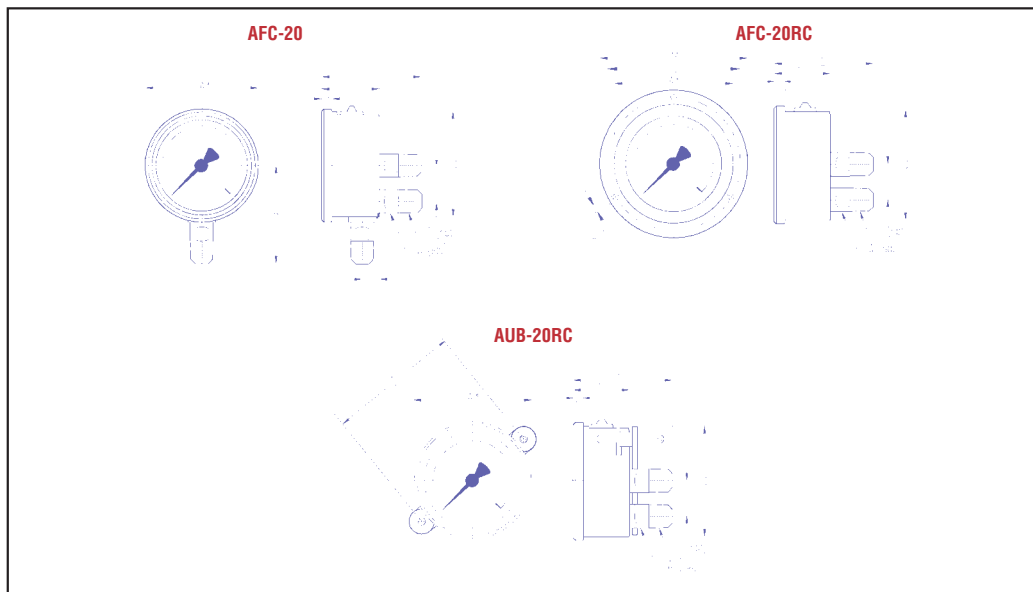


"AFC-20"

### AFC-20 Series Stainless Steel Pressure Gauges

Lenz introduces a new 2" dial glycerin filled pressure gauge with features that include stainless steel case and brass stem which is suitable for hydraulic equipment including pumps & compressors where high vibration exist. The glycerin fill acts as a lubricant, prevents corrosion of the movement, dampens pulsation and vibration to eliminate pointer flutter or oscillation.

BOTTOM MOUNT MODEL NUMBER	REAR CENTER MOUNT MODEL NUMBER	PANEL MOUNT U-CLAMP MODEL NUMBER	FULL RANGE INTERVAL		FIGURE INTERVAL		GRADUATION INTERVAL	
			METRIC PSI	BAR	PSI	BAR	PSI	BAR
AFC-30HG-20	AFC-30HG-20RC	AUB-30HG-20RC	0-30" HG	0-1	5"HG	.2	1"HG	.02
AFC-15-20	AFC-15-20RC	AUB-15-20RC	0-15	0-1	3	.2	.25	.02
AFC-30-20	AFC-30-20RC	AUB-30-20RC	0-30	0-2	5	.5	.05	.05
AFC-60-20	AFC-60-20RC	AUB-60-20RC	0-60	0-4	10	1	1	.1
AFC-100-20	AFC-100-20RC	AUB-100-20RC	0-100	0-7	20	2	2	.2
AFC-160-20	AFC-160-20RC	AUB-160-20RC	0-160	0-10	20	2	2	.2
AFC-200-20	AFC-200-20RC	AUB-200-20RC	0-200	0-14	40	4	4.2	.2
AFC-300-20	AFC-300-20RC	AUB-300-20RC	0-300	0-20	50	5	5	.5
AFC-600-20	AFC-600-20RC	AUB-600-20RC	0-600	0-40	100	10	10	1
AFC-1M-20	AFC-1M-20RC	AUB-1M-20RC	0-1000	0-70	200	20	20	2
AFC-2M-20	AFC-2M-20RC	AUB-2M-20RC	0-2000	0-140	400	40	25	2
AFC-3M-20	AFC-3M-20RC	AUB-3M-20RC	0-3000	0-210	500	50	50	5
AFC-5M-20	AFC-5M-20RC	AUB-5M-20RC	0-5000	0-350	1000	100	100	5





## LZ-15 & LZ-20 ABS Case

**Dial Size:** 1 1/2" / 2" Dry Case  
**Pressure Ranges:** 30" HG to 200 PSI (Single Scale)  
**Accuracy:** Within 2% of Maximum Graduation  
**Case:** ABS (Acrylnitril Butadein Styrol)  
**Bourdon Tube:** Phosphor Bronze  
**Movement:** Brass with Highly Polished Bearing Surfaces  
**Connection:** 1/8" Brass Bottom or Rear Center Mount  
*(Optional Threads See Page 19c)*

**LZ-20-RC MOUNTING OPTIONS, ADD SUFFIX:**  
**"FFC" for Chrome Front Flange available only on 2"**  
**Example: LZ-160-20RC-FF**



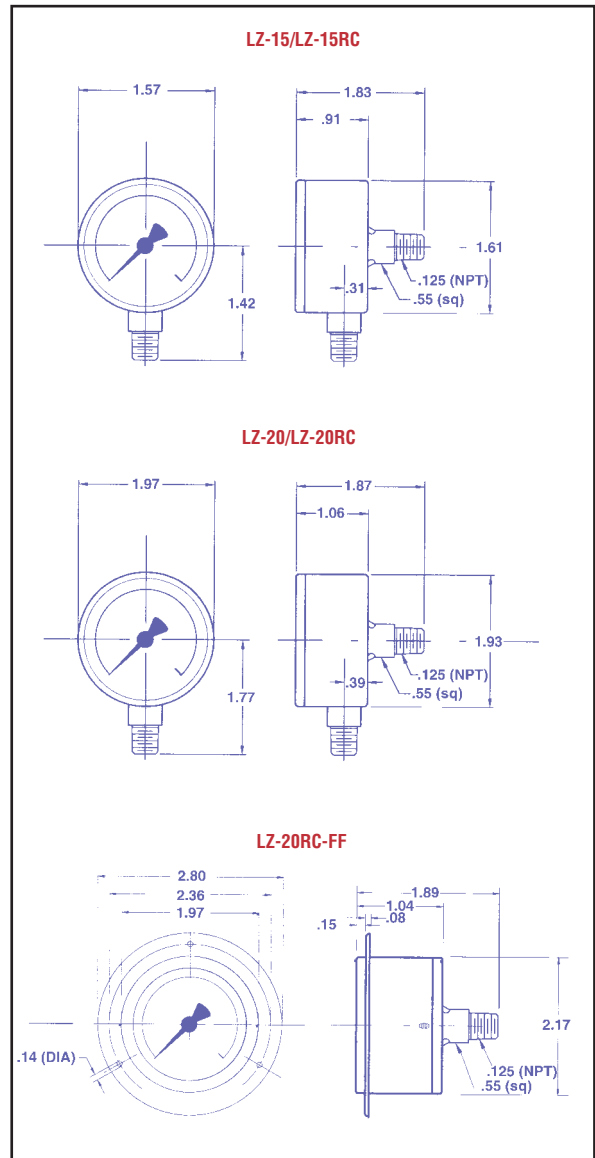
"LZ-15 & LZ-20"

### LZ-15 & LZ-20 Series ABS Case Pressure Gauges

LENZ 1 1/2" & 2" ABS Case Pressure Gauges are perfect for hydraulic and pneumatic equipment. These cost effective pressure gauges are designed where space constraints are a problem.

ST'D. BOTTOM MOUNT MODEL NUMBER	REAR CENTER MOUNT MODEL NUMBER	FULL RANGE ENGLISH		FIGURE METRIC INTERVAL		GRADUATION INTERVAL	
		PSI	BAR	PSI	BAR	PSI	BAR
LZ-30HG-15	LZ-30HG-15RC	0-30"	0-1	5"	.2	1	.02
LZ-15-15	LZ-15-15RC	0-15	0-1	3	.2	.25	.02
LZ-30-15	LZ-30-15RC	0-30	0-2	5	.5	.5	.05
LZ-60-15	LZ-60-15RC	0-60	0-4	10	1	1	.1
LZ-100-15	LZ-100-15RC	0-100	0-7	20	2	2	.1
LZ-160-15	LZ-160-15RC	0-160	0-10	20	2	2	.2
LZ-200-15	LZ-200-15RC	0-200	0-14	40	4	4	.4

ST'D. BOTTOM MOUNT MODEL NUMBER	REAR CENTER MOUNT MODEL NUMBER	FULL RANGE ENGLISH		FIGURE METRIC INTERVAL		GRADUATION INTERVAL	
		PSI	BAR	PSI	BAR	PSI	BAR
LZ-30HG-20	LZ-30HG-20RC	0-30"	0-1	5"	.2	1	.02
LZ-15-20	LZ-15-20RC	0-15	0-1	3	.2	.25	.02
LZ-30-20	LZ-30-20RC	0-30	0-2	5	.5	.5	.05
LZ-60-20	LZ-60-20RC	0-60	0-4	10	1	1	.1
LZ-100-20	LZ-100-20RC	0-100	0-7	20	2	2	.1
LZ-160-20	LZ-160-20RC	0-160	0-10	20	2	2	.2
LZ-200-20	LZ-200-20RC	0-200	0-14	40	4	4	.4





## LZ-25 Steel Case

- Dial Size:** 2 1/2" Dry Case
- Pressure Ranges:** 30" HG to 6,000 PSI/Bar (Dual Scale)
- Accuracy:** Within 2.0% of Maximum Graduation
- Case:** Black Steel
- Bourdon Tube:** Phosphor Bronze
- Movement:** Brass
- Connection:** 1/4" Male NPT Brass Bottom or Rear Center Connection  
*(Optional Threads See Page 19c)*
- Restrictors Standard:**

Maximum Indicating Dial can be added to LZ Series Gauges at Factory. See Pg. 16  
Glass Lens Available.

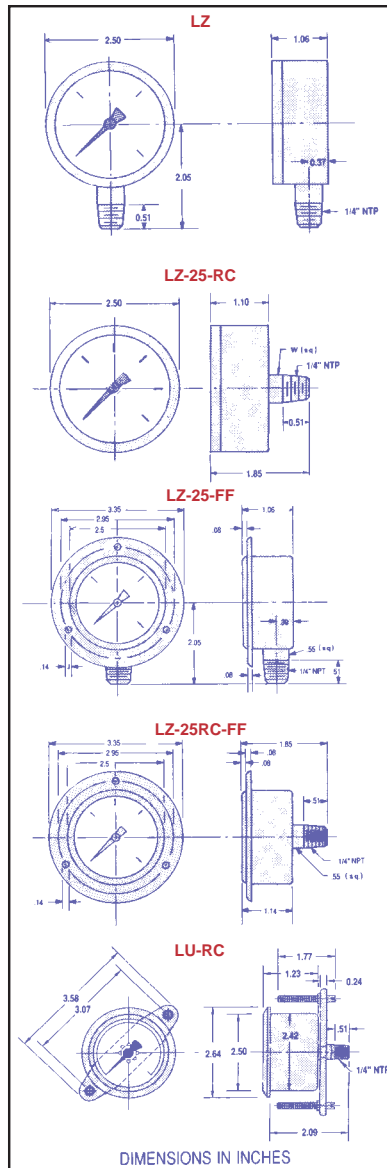
**LZ-25/ LZ-25-RC MOUNTING OPTIONS, ADD SUFFIX:**  
 "FF" for Chrome Front Flange - Example: LZ-160-25RC-FF  
 Change Prefix "LZ" to "LU" for U-Clamp Model: See Chart Below



"LZ-25"

### LZ-25 Series Steel Case Pressure Gauges

LENZ 2 1/2" Steel Case Pressure Gauges are perfect for hydraulic and pneumatic equipment. These cost effective pressure gauges are designed where space constraints are a problem.



ST'D. BOTTOM MOUNT MODEL NUMBER	REAR CENTER MOUNT MODEL NUMBER	PANEL MOUNT U CLAMP REAR CENTER MOUNT MODEL NUMBER	FULL RANGE		FIGURE INTERVAL		GRADUATION INTERVAL	
			ENGLISH PSI	METRIC BAR	PSI	BAR	PSI	BAR
LZ-15-25	LZ-15-25RC	LU-15-25RC	0-15	0-1	3	.2	.25	.02
LZ-30-25	LZ-30-25RC	LU-30-25RC	0-30	0-2	5	.5	.5	.05
LZ-60-25	LZ-60-25RC	LU-60-25RC	0-60	0-4	10	1	1	.1
LZ-100-25	LZ-100-25RC	LU-100-25RC	0-100	0-7	20	2	2	.1
LZ-160-25	LZ-160-25RC	LU-160-25RC	0-160	0-10	20	2	2	.2
LZ-200-25	LZ-200-25RC	LU-200-25RC	0-200	0-14	40	4	4	.4
LZ-300-25	LZ-300-25RC	LU-300-25RC	0-300	0-20	50	5	5	.5
LZ-400-25	LZ-400-25RC	LU-400-25RC	0-400	0-28	50	5	5	.5
LZ-600-25	LZ-600-25RC	LU-600-25RC	0-600	0-42	100	10	10	1
LZ-1M-25	LZ-1M-25RC	LU-1M-25RC	0-1000	0-70	100	20	20	1
LZ-1500-25	LZ-1500-25RC	LU-1500-25RC	0-1500	0-100	300	20	50	5
LZ-2M-25	LZ-2M-25RC	LU-2M-25RC	0-2000	0-140	400	40	40	4
LZ-3M-25	LZ-3M-25RC	LU-3M-25RC	0-3000	0-210	600	50	50	5
LZ-5M-25	LZ-5M-25RC	LU-5M-25RC	0-5000	0-350	1000	100	100	10
LZ-6M-25	LZ-6M-25RC	LU-6M-25RC	0-6000	0-420	1000	100	100	10

## Vacuum Gauges

ST'D. BOTTOM MOUNT MODEL NUMBER	REAR CENTER MOUNT MODEL NUMBER	FULL RANGE		FIGURE INTERVAL		GRADUATION INTERVAL	
		ENGLISH HG	METRIC BAR	HG	BAR	HG	BAR
LZ-30HG-25	LZ-30HG-25RC	0-30"	0-1	5	.2	1	.02

## Compound Gauges

Use where pressures may vary from above atmospheric to below atmospheric.

ST'D. BOTTOM MOUNT MODEL NUMBER	REAR CENTER MOUNT MODEL NUMBER	FULL RANGE		FIGURE INTERVAL	
		ENGLISH HG	METRIC BAR	HG	BAR
LZ-30-15-25	LZ-30-15-25RC	30"-0-15	-1-0-1	10" & 5	.2 & .2
LZ-30-30-25	LZ-30-30-25RC	30"-0-30	-1-0-2	10" & 10	1 & 1
LZ-30-60-25	LZ-30-60-25RC	30"-0-60	-1-0-4	10" & 10	1 & 1
LZ-30-100-25	LZ-30-100-25RC	30"-0-100	-1-0-7	30" & 20	1 & 1
LZ-30-160-25	LZ-30-160-25RC	30"-0-160	-1-0-10	30" & 20	1 & 2
LZ-30-200-25	LZ-30-200-25RC	30"-0-200	-1-0-14	30" & 40	1 & 2





## BAC-4 Brass Case

**Dial Size:** 4" Glycerin Filled

**Pressure Ranges:** 30" HG to 15,000 PSI/Bar (Dual Scale)

**Accuracy:** Within 1.5% of Maximum Graduation

**Case:** Forged Brass Chrome Plated

**Bourdon Tube:** Copper Alloy - Up to 1500 PSI

Safety Coiled Alloy Steel for 1500 PSI and Higher

**Movement:** Brass With Highly Finished Bearing Surfaces

**Connection:** 1/2" Male NPT Brass Bottom or rear lower connection  
(Optional 1/4" Available)

*(Optional Threads See Page 19c)*

**Safety Blow-Out Plug Included.**

**Restrictors Standard to Restrict Pulsations.**

**BAC-4/ BAC-4-RL MOUNTING OPTIONS, ADD SUFFIX:**

“FF” for Chrome Front Flange - Example: BAC-5M-4RL-FF

“UC” for U-Clamp - Example: BAC-3M-4RL-UC

“RF” for Chrome Rear Flange - Example: BAC-1500-4RF

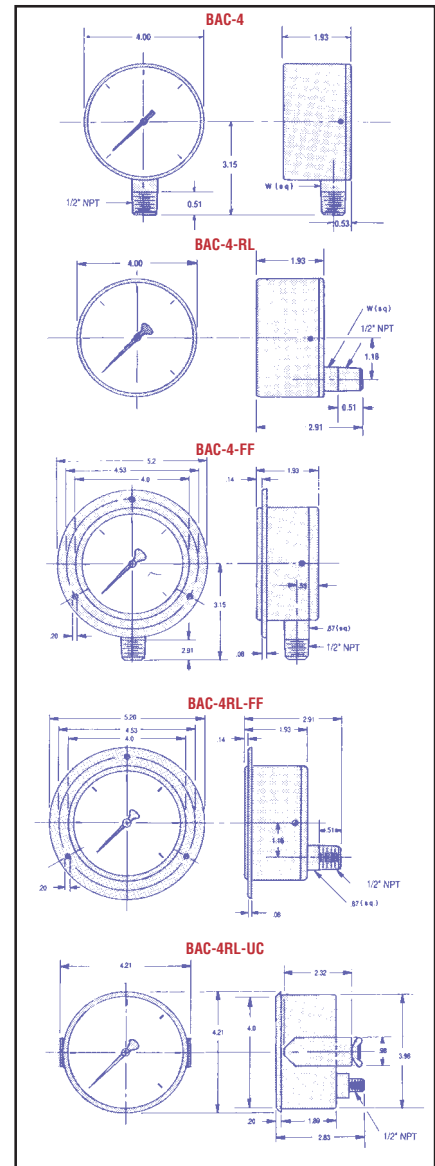


“BAC-4”

### BAC-4 Series Brass Case Pressure Gauges

LENZ all brass cases are designed for the most rugged applications due to the bourdon tube being brazed to the one-piece brass case/socket and are known for their reliability in the field where vibration and pulsation can occur.

ST'D. BOTTOM MOUNT MODEL NUMBER	REAR LOWER MOUNT MODEL NUMBER	FULL RANGE		FIGURE INTERVAL		GRADUATION INTERVAL	
		ENGLISH PSI	METRIC BAR	PSI	BAR	PSI	BAR
BAC-30HG-4	BAC-30HG-4RL	0-30"HG	0-1	5"HG	.2	1"HG	.02
BAC-30-4	BAC-30-4RL	0-30	0-2	5	.5	.5	.05
BAC-60-4	BAC-60-4RL	0-60	0-4	10	1	1	.1
BAC-100-4	BAC-100-4RL	0-100	0-7	10	1	1	.1
BAC-160-4	BAC-160-4RL	0-160	0-10	20	2	2	.2
BAC-200-4	BAC-200-4RL	0-200	0-14	20	2	4	.4
BAC-300-4	BAC-300-4RL	0-300	0-20	50	2	5	.4
BAC-400-4	BAC-400-4RL	0-400	0-28	50	5	5	.5
BAC-600-4	BAC-600-4RL	0-600	0-42	100	10	10	1
BAC-800-4	BAC-800-4RL	0-800	0-56	100	10	20	1
BAC-1M-4	BAC-1M-4RL	0-1000	0-70	200	10	20	2
BAC-1500-4	BAC-1500-4RL	0-1500	0-100	300	20	25	2
BAC-2M-4	BAC-2M-4RL	0-2000	0-140	400	20	25	2
BAC-3M-4	BAC-3M-4RL	0-3000	0-210	500	20	50	4
BAC-5M-4	BAC-5M-4RL	0-5000	0-350	1000	50	100	5
BAC-10M-4	BAC-10M-4RL	0-10000	0-700	2000	100	200	20
BAC-15M-4	BAC-15M-4RL	0-15000	0-1050	3000	200	250	20





## AFC-4 Stainless Steel Case

**Dial Size:** 4" Glycerin Filled

**Pressure Ranges:** 30" HG to 15,000 PSI/Bar (Dual Scale)

**Accuracy:** Within 2.0% of Maximum Graduation

**Case:** Polished Stainless Steel Ring

**Bourdon Tube:** Copper Alloy - Up to 1500 PSI

Safety Coiled Alloy Steel for 1500 PSI and Higher

**Movement:** Brass With Highly Finished Bearing Surfaces

**Connection:** 1/4" Male NPT Brass Bottom or Rear Lower Connection

*(Optional Threads See Page 19c)*

**Safety Blow-Out Plug Included**

**Restrictors Standard to Restrict Pulsations.**

**AFC-4-RL MOUNTING OPTIONS, ADD SUFFIX:**

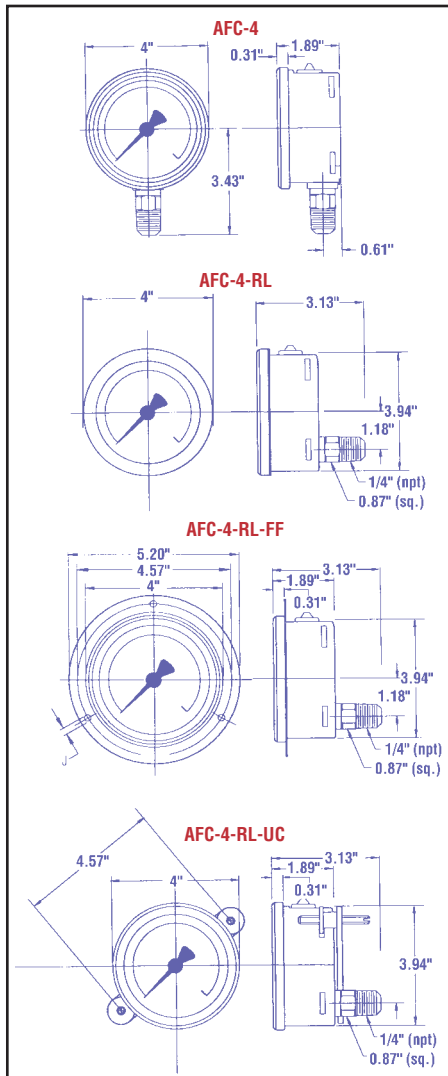
"FF" for Polished Stainless Steel Front Flange - Example: AFC-5M-4RL-FF

"UC" for U-Clamp - Example: AFC-3M-4RL-UC

"RF" for Polished Stainless Steel Rear Flange



"AFC-4"



### AFC Series 4" Pressure Gauges

LENZ gauges have a 4" stainless steel case, are glycerin filled, with brass connection and are best suited for pumps, compressors, and hydraulic equipment where high vibration exists. The stainless steel case offers protection from corrosive environments as are found, for example, at chemical plants and petrochemical plants. The glycerin fill acts as a permanent lubricant, prevents corrosion of the movement, dampens pulsation and vibration to eliminate pointer flutter or oscillation.

ST'D. BOTTOM MOUNT MODEL NUMBER	REAR CENTER MOUNT MODEL NUMBER	FULL RANGE		FIGURE INTERVAL		GRADUATION INTERVAL	
		ENGLISH PSI	METRIC BAR	PSI	BAR	PSI	BAR
AFC-30HG-4	AFC-30HG-4RL	0-30"HG	0-1	5"HG	.2	1"HG	.02
AFC-15-4	AFC-15-4RL	0-15	0-1	10	1	1	.1
AFC-30-4	AFC-30-4RL	0-30	0-2	20	2	2	.1
AFC-60-4	AFC-60-4RL	0-60	0-4	20	2	2	.2
AFC-100-4	AFC-100-4RL	0-100	0-7	40	4	4	.4
AFC-160-4	AFC-160-4RL	0-160	0-10	50	5	5	.5
AFC-200-4	AFC-200-4RL	0-200	0-14	100	10	10	1
AFC-300-4	AFC-300-4RL	0-300	0-20	200	20	20	1
AFC-400-4	—	0-400	0-28	300	20	50	5
AFC-600-4	AFC-600-4RL	0-600	0-42	400	40	40	4
AFC-1M-4	AFC-1M-4RL	0-1000	0-70	500	50	50	5
AFC-1500-4	—	0-1500	0-100	1000	100	100	10
AFC-2M-4	AFC-2M-4RL	0-2000	0-140	1000	100	100	10
AFC-3M-4	AFC-3M-4RL	0-3000	0-210	2000	200	200	10
AFC-5M-4	AFC-5M-4RL	0-5000	0-350	3000	200	500	50
AFC-6M-4	AFC-6M-4RL	0-6000	0-350	3000	200	500	50
AFC-10M-4	—	0-10000	0-700	3000	200	500	50
AFC-15M-4	—	0-15000	0-1000	3000	200	500	50



## SS-4 Stainless Steel Case-Stainless Movement

**Dial Size:** 4" Glycerin Filled

**Pressure Ranges:** 30" HG to 15,000 PSI/Bar (Dual Scale)

**Accuracy:** Within 1.0% of Maximum Graduation

**Case:** 304SS Stainless Steel

**Bourdon Tube:** 316 Stainless Steel

**Movement:** 316 Stainless Steel with Highly Polished Bearing Surfaces

**Connection:** 1/2" Male NPT, 316 Stainless Steel

**Safety Blow-Out Plug Included.**

**Restrictors Standard.**

**SS-4-RL MOUNTING OPTIONS, ADD SUFFIX:**

**"FF"** for Polished Stainless Steel Front Flange - Example: SS-10M-4RL-FF

**"UC"** for Stainless Steel U-Clamp - Example: SS-3M-4RL-UC

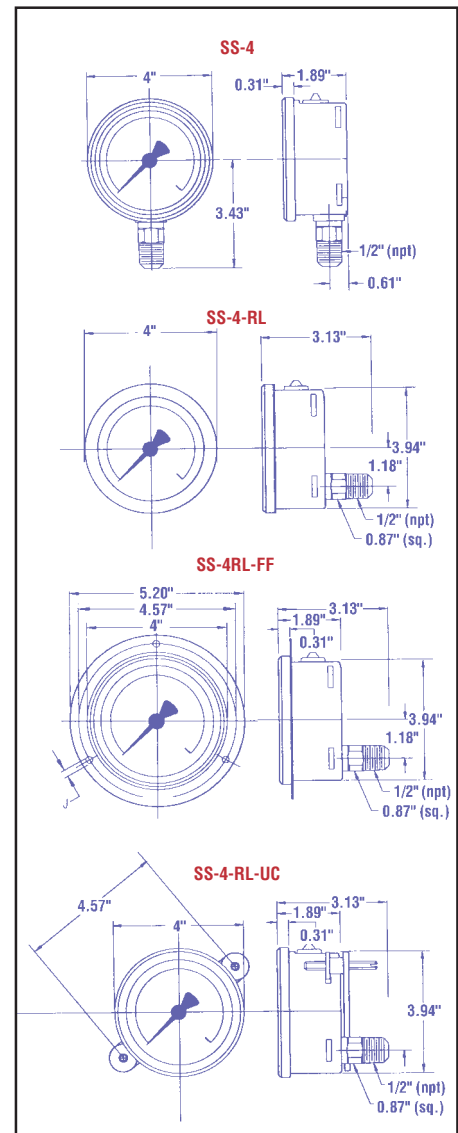
**"RF"** for Stainless Steel Rear Flange - Example: SS-1M-4RF



"SS-4"

**SS-4 Series All Stainless Steel Pressure Gauges** feature a stainless steel case, 316 stainless steel bourdon tube and stem, glycerin filled for severe punishment and years of service in the field. LENZ SS-4 series are highly accurate within 1% of full scale.

ST'D. BOTTOM MOUNT MODEL NUMBER	REAR LOWER MOUNT MODEL NUMBER	FULL RANGE		FIGURE INTERVAL		GRADUATION INTERVAL	
		ENGLISH PSI	METRIC BAR	PSI	BAR	PSI	BAR
SS-30HG-4	SS-30HG-4RL	0-30"HG	0-1	5"HG	.2	1"HG	.02
SS-30-4	SS-30-4RL	0-30	0-2	5	.5	.5	.05
SS-60-4	SS-60-4RL	0-60	0-4	10	1	1	.1
SS-100-4	SS-100-4RL	0-100	0-7	10	1	1	.1
SS-160-4	SS-160-4RL	0-160	0-10	20	2	2	.2
SS-300-4	SS-300-4RL	0-300	0-20	50	2	5	.4
SS-600-4	SS-600-4RL	0-600	0-42	100	10	10	1
SS-1M-4	SS-1M-4RL	0-1000	0-70	100	10	10	1
SS-2M-4	SS-2M-4RL	0-2000	0-140	200	20	20	2
SS-3M-4	SS-3M-4RL	0-3000	0-210	500	50	20	2
SS-5M-4	SS-5M-4RL	0-5000	0-350	1000	50	50	5
SS-6M-4	SS-6M-4RL	0-6000	0-420	1000	100	50	5
SS-10M-4	SS-10M-4RL	0-10000	0-700	1000	100	50	5
SS-15M-4	SS-15M-4RL	0-15000	0-1050	3000	200	100	10





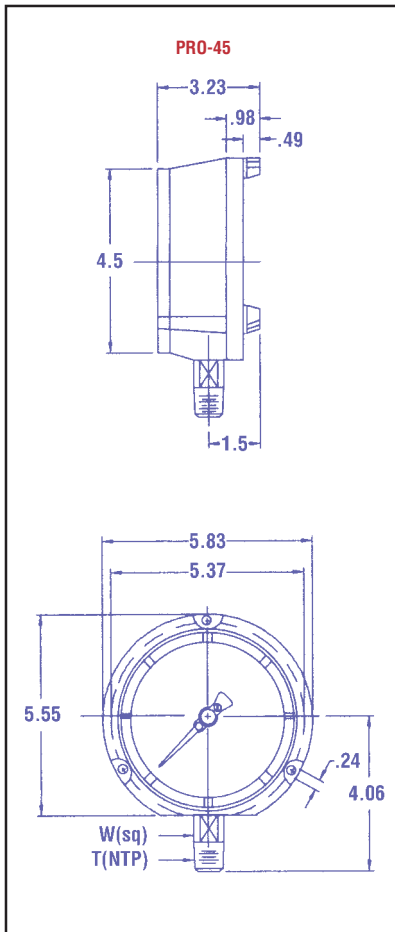
## PRO-45 Process ABS Case-Stainless Movement

- Dial Size:** 4 1/2" Glycerin Filled
- Pressure Ranges:** 30" HG to 30,000 PSI (Single Scale)
- Accuracy:** Within +/- 0.5% of Maximum Graduation
- Case:** Fiberglass reinforced thermoplastic, black
- Bourdon Tube:** Type 316 Stainless Steel
- Movement:** Type 316 Stainless Steel
- Connection:** 1/2" Male NPT, Type 316 Stainless Steel
- Safety Blow-Out Back Case**
- Restrictors Standard**



"PRO-45"

**PRO-45 Series Process Gauges** have been designed and manufactured to the highest standards for the chemical & petroleum industries to withstand vibration, corrosive media and environments, and a wide range of temperatures.



ST'D. BOTTOM MOUNT MODEL NUMBER	FULL RANGE ENGLISH PSI	FIGURE INTERVAL PSI	GRADUATION INTERVAL PSI
PRO-30HG-45	0-30"HG	5"HG	1"HG
PRO-30-45	0-30	5	.5
PRO-60-45	0-60	10	1
PRO-100-45	0-100	10	1
PRO-160-45	0-160	20	2
PRO-300-45	0-300	50	5
PRO-600-45	0-600	100	10
PRO-1M-45	0-1000	100	10
PRO-2M-45	0-2000	200	20
PRO-3M-45	0-3000	500	20
PRO-5M-45	0-5000	1000	50
PRO-6M-45	0-6000	1000	50
PRO-10M-45	0-10000	1000	50
PRO-15M-45	0-15000	2000	100
PRO-20M-45	0-20000	2000	100
PRO-30M-45	0-30000	2000	100





## LOW-25 Black Steel Case-Capsule Movement

**Inches/Water Column**

**Dial Size:** 2 1/2" Dry Case

**Pressure Ranges:** 15"H2O to 240"H2O/3 to 10 PSI

**Accuracy:** Within 1.5% of Maximum Graduation

**Case:** Black Steel

**Movement:** Copper Alloy Capsule designed to measure low pressure

**Connection:** 1/4" Brass Bottom Mount or Rear Connection

**Recalibration:** Adjustment Screw on dial to re-zero pointer if necessary

**LOW-25 MOUNTING OPTIONS, ADD SUFFIX:**

"FF" for Chrome Front Flange - Example: LOW-30H2O-25RC-FF



LOW-25"

### LOW-25

LENZ Low pressure gauges are extremely sensitive and highly accurate. The copper alloy capsule is designed to measure pressure and vacuum of gaseous media from as low as 15"H2O to 240"H2O/3 to 10 PSI

### Pressure Ranges (dual scale) (H2O/mm H2O)

STANDARD BOTTOM MOUNT MODEL NUMBER	REAR CENTER MOUNT MODEL NUMBER	Inches/H2O	mm/H2O
LOW-15H2O-25	LOW-15H2O-25RC	0-15	0-380
LOW-30H2O-25	LOW-30H2O-25RC	0-30	0-760
LOW-60H2O-25	LOW-60H2O-25RC	0-60	0-1500
LOW-100H2O-25	LOW-100H2O-25RC	0-100	0-2500
LOW-200H2O-25	LOW-200H2O-25RC	0-200	0-5000

### (oz./sq.in./ H2O)

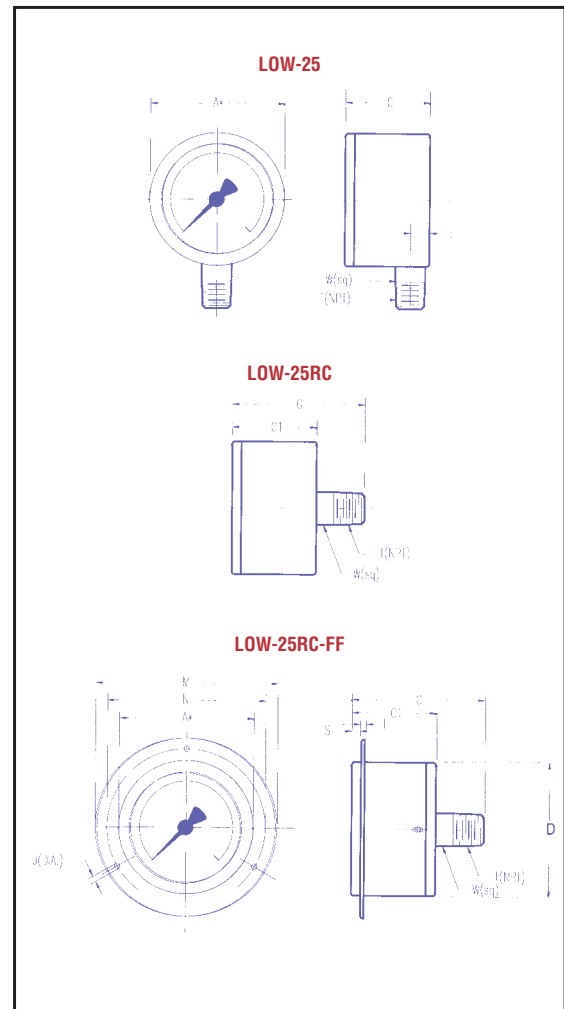
STANDARD BOTTOM MOUNT MODEL NUMBER	REAR CENTER MOUNT MODEL NUMBER	Ounces	Inches/H2O
LOW-200Z-25	LOW-200Z-25RC	0-20	0-34
LOW-320Z-25	LOW-320Z-25RC	0-32	0-55

### (oz./sq.in./ mmH2O)

STANDARD BOTTOM MOUNT MODEL NUMBER	REAR CENTER MOUNT MODEL NUMBER	Ounces	mm/H2O
LOW-200Z-25	LOW-200ZMM-25RC	0-15	0-880
LOW-300Z-25	LOW-300ZMM-25RC	0-30	0-1320
LOW-600Z-25	LOW-600ZMM-25RC	0-60	0-2640

### Pressure Ranges (Single Scale)

STANDARD BOTTOM MOUNT MODEL NUMBER	REAR CENTER MOUNT MODEL NUMBER	PSI
LOW-03-25	LOW-03-25RC	0-3
LOW-05-25	LOW-05-25RC	0-5
LOW-10-25	LOW-10-25RC	0-10





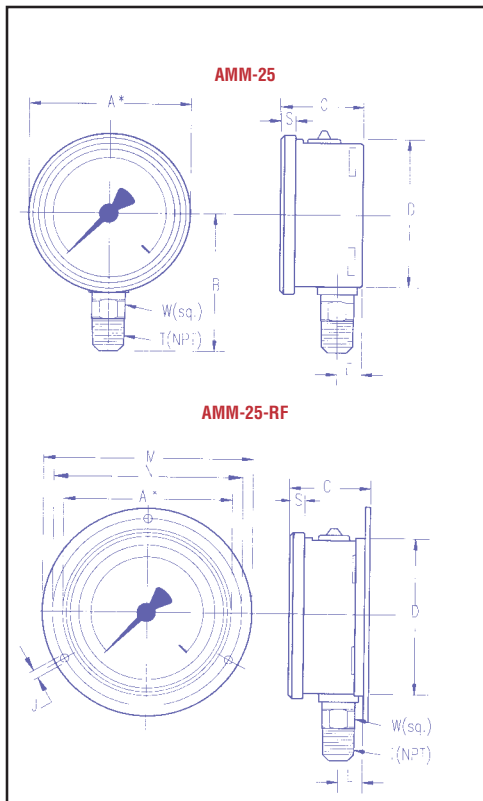


## AMM-25 Refrigeration Ammonia Pressure Gauges

- Dial Size:** 2 1/2" (Dry Case)
- Ranges:** 30" to 300 PSI/F (Dual Scale)
- Accuracy:** Within 1.5% of Maximum Graduation
- Case:** Stainless Steel
- Movement:** 316 Stainless Steel
- Connection:** 1/4" 316 Stainless Steel



"AMM-25"



LENZ Refrigeration Ammonia Gauges are suitable for refrigeration Ammonia and other liquid or gaseous media which are compatible with 316 stainless steel & will not contaminate the pressure system.

STANDARD BOTTOM MOUNT MODEL NUMBER	PSI/F
AMM-30-150-25	30"-150 PSI/84 F
AMM-30-300-25	30"-300 PSI/126 F





## Bimetal Thermometer

**Model No. BMT**  
**Case & Stem:** 304 Stainless Steel  
**Window:** Instrument Glass (Acrylic Optional)  
**Connections are all 1/2" NPT**  
**External Zero Adjustment**  
**Dial Sizes Available:** 3" or 5"  
**Optional:** Temperature Ratings up to 750° Fahrenheit  
**Optional:** Silicone Liquid Filling. Standard Stem Lengths up to 24" and custom lengths up to 72".  
 Stem lengths are measured from the underneath side of the hex.  
 Lenz will build to your specifications!

**Lenz's Bimetal Thermometers** were developed to fill a need for a thermometer performing accurately under rough and difficult applications. This is accomplished by utilizing the Law of Coefficient of Expansion differential of two unlike materials; hence the name "Bimetal Thermometer." The expansion differential of the two unlike metals, connected with a mechanical linkage which Lenz coats with a viscous silicone to minimize pointer oscillation, shows the temperature on the hermetically sealed dial. The Lenz BMT series thermometer probe extends well into the fluid to provide a more accurate reading of fluid temperatures than surface thermometers and are unaffected by ambient temperature.



MODEL NUMBER	DIAL SIZE	TEMPERATURE	STEM LENGTH	STEM CONNECTION
BMT-3-250-25-RC	3"	0-250 F° / -20-120 C°	2 1/2"	Rear Connection
BMT-3-250-4-RC	3"	0-250 F° / -20-120 C°	4"	
BMT-3-250-6-RC	3"	0-250 F° / -20-120 C°	6"	
BMT-3-550-25-RC	3"	50-550 F° / 10-290 C°	2 1/2"	Rear Connection
BMT-3-550-4-RC	3"	50-550 F° / 10-290 C°	4"	
BMT-3-550-6-RC	3"	50-550 F° / 10-290 C°	6"	
BMT-3-250-25-LM	3"	0-250 F° / -20-120 C°	2 1/2"	Lower Mount
BMT-3-250-4-LM	3"	0-250 F° / -20-120 C°	4"	
BMT-3-250-6-LM	3"	0-250 F° / -20-120 C°	6"	
BMT-3-550-25-LM	3"	50-550 F° / 10-290 C°	2 1/2"	Lower Mount
BMT-3-550-4-LM	3"	50-550 F° / 10-290 C°	4"	
BMT-3-550-6-LM	3"	50-550 F° / 10-290 C°	6"	
BMT-3-250-25-AA	3"	0-250 F° / -20-120 C°	2 1/2"	All Angle
BMT-3-250-4-AA	3"	0-250 F° / -20-120 C°	4"	
BMT-3-250-6-AA	3"	0-250 F° / -20-120 C°	6"	
BMT-3-550-25-AA	3"	50-550 F° / 10-290 C°	2 1/2"	All Angle
BMT-3-550-4-AA	3"	50-550 F° / 10-290 C°	4"	
BMT-3-550-6-AA	3"	50-550 F° / 10-290 C°	6"	
BMT-5-550-25-AA	5"	50-550 F° / 10-290 C°	2 1/2"	All Angle
BMT-5-550-4-AA	5"	50-550 F° / 10-290 C°	4"	
BMT-5-550-6-AA	5"	50-550 F° / 10-290 C°	6"	

Thermowells permit the removal, replacement or testing of the Bimetal Thermometer without affecting the process media or the system.

MODEL	DESCRIPTION
TW-25	Thermowell: For 2 1/2" Probe Lengths
TW-4	Thermowell: For 4" Probe Lengths
TW-6	Thermowell: For 6" Probe Lengths





## Transducers

**Model No. LZT**

**Specifications**

- Protected against reverse polarity, short circuit, and overvoltage
- 1/4 NPT or 7/16-20 UNF connections
- Stainless steel case (316) and (316L) wetted parts
- 24 pressure ranges available (0-8000 PSI)
- Accuracy .5% (B.F.S.L.) of span
- Repeatability .05% of span
- Hysteresis .1% of span
- Supply voltage 10-30vdc (14-30 for 0-10v output signal)
- Operating temperature 32-180 F (0-80 C)
- Response less than MS between 10-90% full scale
- Weight 0.2 lbs. (0.1 kg)



**Options**

- Output signal
- 4-20 mA 2 wire system
- 0-5 V 3-wire system
- 0-10 V 3-wire system

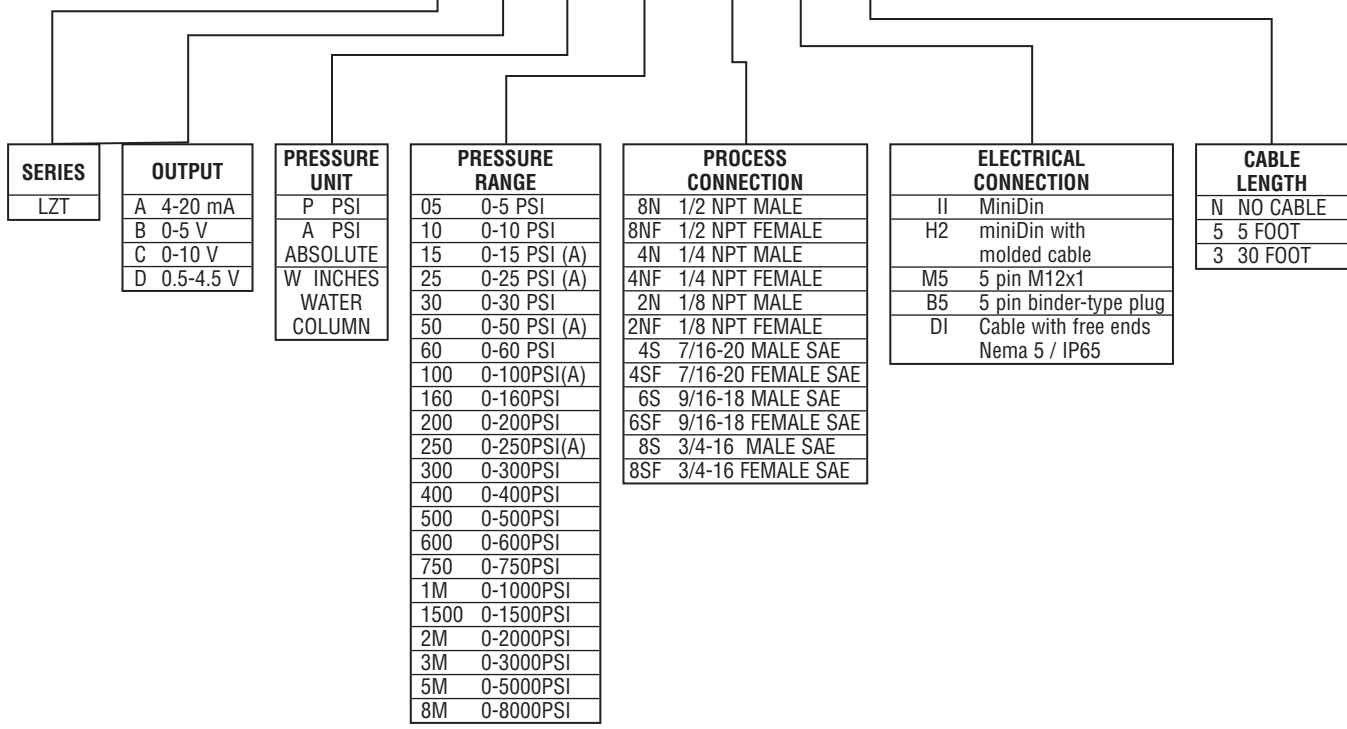
**How it works**

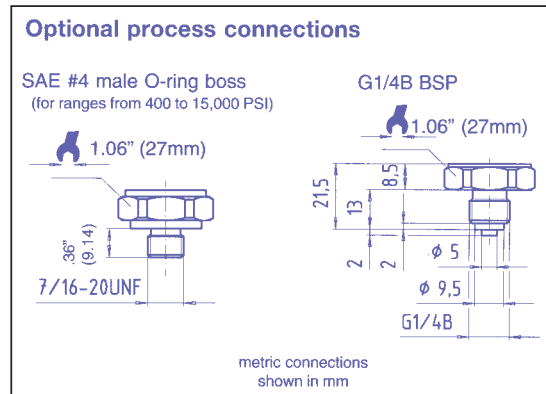
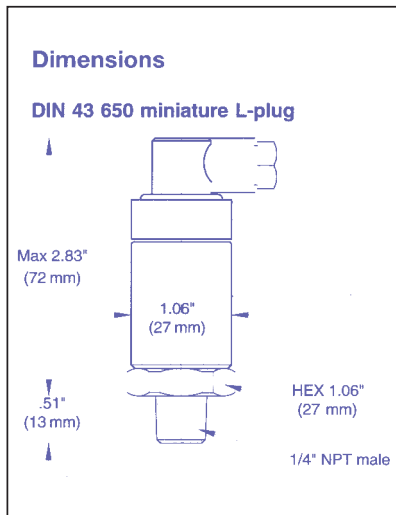
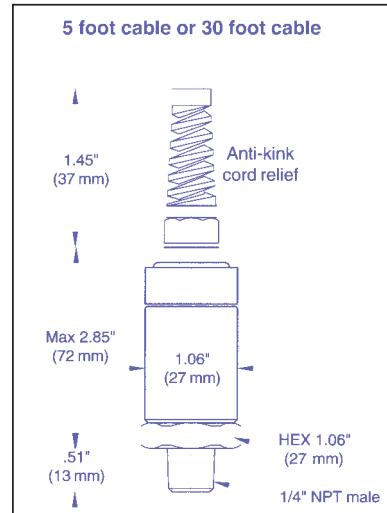
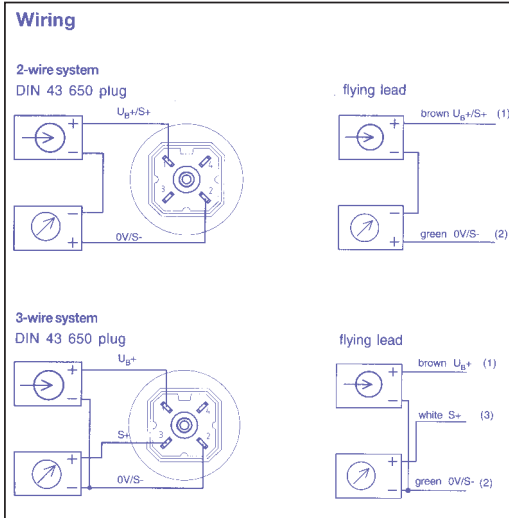
LENZ Pressure Transducers are now available using a flexible modular assembly system. All components from the process connection, pressure range, electrical connection and cable length are modular. You can now select the range or connection that meets your needs.

Your selection will generate the LENZ type code. Order this model code and we will build your pressure transducers.

### Ordering Code

LZT - A - P - 3M - 4N - II - N







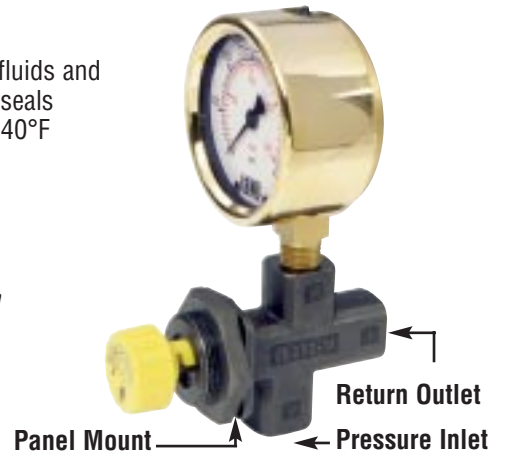
## Gauge Isolator Valve

**Model No. GV-4**  
**Single Station**  
**Specifications**

- Push knob to read
- Can be locked in actuated position
- Panel or in-line mounting
- Made of press forged steel
- 5800 PSI working pressure
- Maximum panel thickness 5/16"
- 1/4" NPT ports
- Viton seals

- Compatible with petroleum based fluids and other fluids compatible with Viton seals
- Operating temperature -30°F to +240°F (-22C to +115C)
- Ports: 1/4" NPT
- Working Pressure: 5800 PSI

*Gauge isolators prevent damaging pressure surges from reaching the gauge except when a reading is required. They help to extend gauge life and maintain accuracy.*

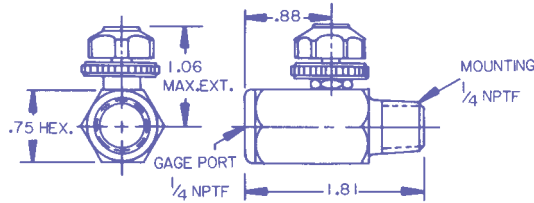


## Gauge Isolator Valve

**Model # GV-4R**

The LENZ Gauge Isolator Valve is a simple effective throttling and shut-off device to isolate and protect hydraulic pressure gauges. It will quickly and positively shut off the gauge from the line pressure or, when partially opened, reduce or eliminate gauge pointer pulsations. The leakproof needle stem is internally retained.

- Features:**
- Steel Construction
  - 5000 PSI Maximum System Pressure
  - Viton Seals-Compatible With Most Fluids
  - Finger Tip Adjustment and Locknut



## Siphons

LENZ Siphons should be used to protect pressure instruments in live steam service or other hot vapor applications. The vapor condenses inside the coil of the siphon which prevents the high temperature vapors from reaching the sensing element of the pressure instrument.



MODEL NUMBER	DESCRIPTION
4-SIP	1/4" x 1/4"-MALE (STEEL)
4-SIP-SS	1/4" x 1/4"-MALE (STAINLESS)
8-SIP	1/2" x 1/2"-MALE (STEEL)
8-SIP-SS	1/2" x 1/2"-MALE (STAINLESS)

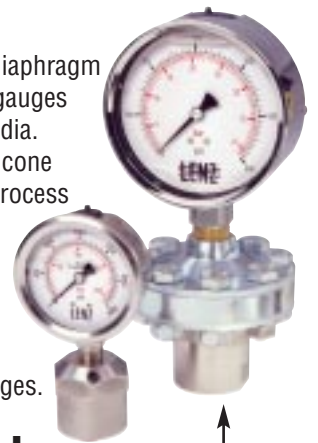
## Couplings

(to attach pressure gauges to siphons)

MODEL NUMBER	DESCRIPTION
4-PC	1/4" x 1/4"-MALE (STEEL)
4-PC-SS	1/4" x 1/4"-MALE (STAINLESS)
8-PC	1/2" x 1/2"-MALE (STEEL)
8-PC-SS	1/2" x 1/2"-MALE (STAINLESS)

## Chemical Seals

Chemical seals also referred to as diaphragm seals, are used to isolate pressure gauges from clogging and /or corrosive media. The upper seal is also filled with silicone fluid. Any pressure applied by the process medium to the seal diaphragm is hydraulically transmitted to the pressure element of the gauge, thus generating a pressure reading on the pressure gauge. Factory Installed. Must be ordered with gauges.



## Lenz Heavy Duty Seals

MODEL NUMBER	DESCRIPTION
HDS-4x4	1/4" x 1/4" FEMALE (STEEL)
HDS-4x4-SS	1/4" x 1/4" FEMALE (STAINLESS)
HDS-8x8	1/2" x 1/2" FEMALE (STEEL)
HDS-8x8-SS	1/2" x 1/2" FEMALE (STAINLESS)

## Lenz Mini-Seal

MODEL NUMBER	DESCRIPTION
MS-4x4-SS	1/4" x 1/4" FEMALE (STAINLESS)
MS-4x8-SS	1/4" x 1/2" FEMALE (STAINLESS)
MS-8x8-SS	1/2" x 1/2" FEMALE (STAINLESS)





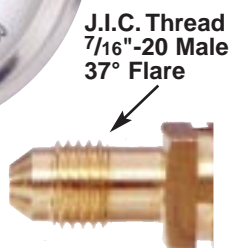
## Optional Threads

Lenz Pressure gauges can be ordered with special thread connections. (50 Piece Minimum)

- 1) **S.A.E. Thread:** (7/16"-20 w/ "O"-Ring, washer & locknut)  
**Example:** SAE-AFC-3M-25
- 2) **J.I.C. Thread:** (7/16"-20 Male 37° Flare)  
**Example:** JIC-AFC-3M-25RC
- 3) **B.S.P. Thread:** (1/4"R-19, 1/4BSP-19, G-1/4")  
**Example:** BSP-AFC-3M-25



S.A.E. Thread  
7/16"-20 with  
"O" Ring, Washer  
& Locknut



## Maximum Indicating Dial

Lenz's maximum indicating dial follows the regular (black) pointer on increasing pressure and remains at the highest point until it is reset by a knob at the front of the window, Silicone filled. Excellent for determining pressure surges or spikes in system.

**Example:** BAC-5M-25-MID  
**Available only on BAC & LZ Series**  
*(Installed at Factory)*



## Adapters



4-PC

3255-4-4

4-4 APC

4-4 BSP

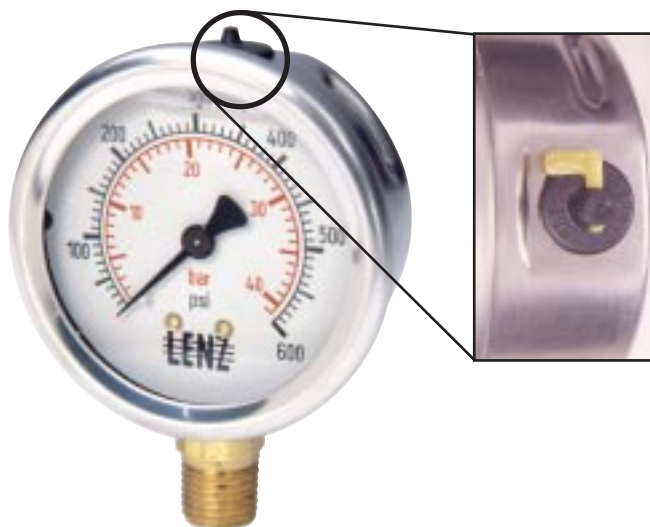
MODEL NUMBER	DESCRIPTION
4-PC	1/4" NPT FEMALE x 1/4" NPT FEMALE PIPE COUPLER
3255-4-4	1/4" NPT FEMALE x 7/16"-20 MALE JIC 37° FLARE
4-4 APC	1/4" NPT FEMALE x 7/16"-20 S.A.E. MALE WITH O-RING
4-4 BSP	1/4" NPT FEMALE x 1/4"-19 BSP THREADS

## New Vent Plug for Low Pressure Gauges

LENZ introduces a new "Open/Close" Vent plug for low pressure applications less than 100 PSI. In order for the pressure gauge to have accurate readings, vent needs to be in open position.

After shipment, pointer may not rest at zero due to internal case pressure buildup caused by temperature variations. Accuracy may be significantly reduced. To restore gauge to operating condition, move lever of vent plug to "Open" position.

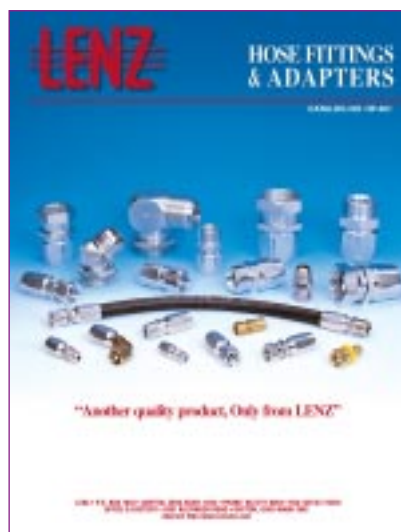
If gauge is not mounted upright, move lever to closed position after venting. Repeat procedure at regular intervals to maintain pressure gauge accuracy.



# Request these other **LENZ** Catalogs



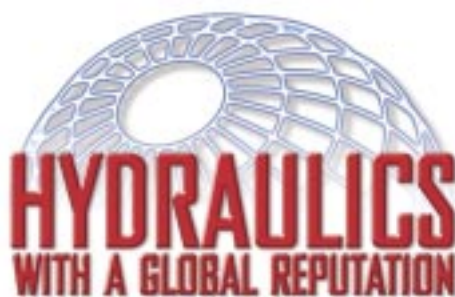
**CATALOG 127R-A**  
60 Pgs. "O"-Ring Seal  
Tube Fittings, 37° Flare  
Tube Fittings, Pipe Fittings,  
Adapters & Accessories.



**CATALOG HP-401**  
32 Page. High & Medium  
Pressure Hose Fittings &  
Assemblies, Adapters.



**CATALOG AD-90**  
48 Pgs. Adapters, Pipe  
Fittings, Adapter Unions,  
J.I.C.-S.A.E. Tube Fittings,  
offered in Steel &  
Stainless Steel.



Distributed By:



PHONE: 937/277-9364 FAX: 937/277-6516 [www.lenzinc.com](http://www.lenzinc.com)