

**SCREWED BONNET NEEDLE VALVE**  
**1/8" - 1/2" NPT**  
**Globe and Block Configuration**  
**Brass, 303 and 316 Stainless Steel**

**3000**

**SERIES**

**Description**

Series 3000 bar stock, screwed bonnet type needle valves are available in brass, 303 and 316 stainless steel with working pressures to 5000 Psig in 1/8" to 1/2" sizes. The unique, externally adjustable, wear compensating, virgin PTFE stem packing offers long trouble free service life in most liquid or gas applications. A wide variety of options including panel mounting, metal to metal seat, soft stem tip and taper proof cap, the Series 3000 provides economical, quality solutions for the most demanding applications. Valves can be ordered cleaned and packaged for oxygen service.

**Features**

- Adjustable PTFE Stem Packing
- Excellent Gauge Isolation Valve
- Wide variety of options to suit many diverse applications
- Available in 303 SS as an economical alternative to 316 SS (where applicable)
- 100% factory tested

**Technical Data**

Maximum Operating Pressure @ 100° F (38 ° C)  
 Brass: 3000 Psig (207 Bar)  
 Stainless: 5000 Psig (345 Bar)  
 Flow Coefficient  
 Globe (.187" Orifice): 0.40 Cv  
 Block (.312" Orifice): 0.90 Cv

**Temperature Ratings**

Metal to Metal Stem: -320° F to 400°F (-195° C to 204°C)  
 Kel-F Tip Stem: -65° F to 200°F (-54° C to 93°C)

**Leakage**

External leakage – zero.  
 Maximum allowable seat leakage – 0.1 cc/min @ 3000 psig (207 Bar) Nitrogen

**Materials of Construction**

Component	Valve Body Material		
	Brass	303 Stainless	316 Stainless
Valve Body, Bonnet Packing Nut	Brass, ASTM B16	303 SS, ASTM A582	316 SS, ASTM A479
Stem <sup>1</sup>		303 SS, ASTM A582/Kel-F (CTFE)	316 SS, ASTM A479/Kel-F (CTFE)
Handle <sup>2</sup>		Brass, ASTM B16, (Nickel Plated, ASTM 689)	
Set Screw	ANSI B18.3 (Alloy Steel)		
Packing	Virgin TFE		
Panel Nut	Brass, ASTM B16	Brass, ASTM B16, (Nickel Plated, ASTM 689)	
Tamper Proof Cap		N/A	

1. Stainless valves supplied with Kel-F stem, optional metal to metal stem, option code "Q", see ordering information. Block valves not available with soft stem tip option.  
 2. Optional black phenolic knob, option code "M"



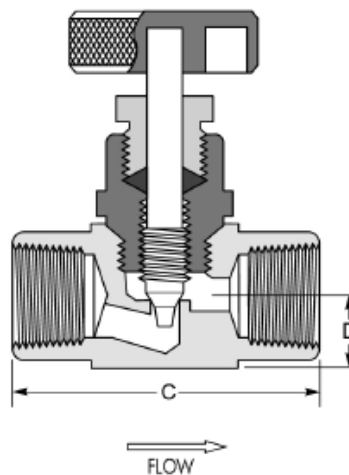
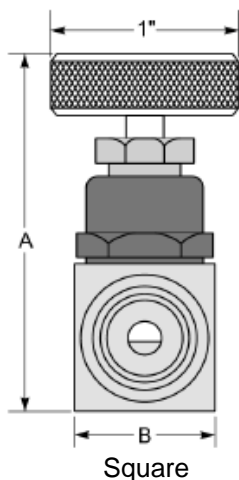
Globe

(Panel Mount Option Shown)



Block

# SCREWED BONNET NEEDLE VALVE



## Dimensional Data

Valve Number	Pipe Size (NPT)	PORT CONFIGURATION		Orifice	Cv	A (Open)	B (Square)	C	D
		INLET	OULET						
1	1/8"	Female		.187"	0.40	2-1/4"	3/4"	1-5/8"	3/8"
2		Male							
3		Male	Female						
4	1/4"	Female						1-13/16"	
5		Male							
6		Male	Female						
7	3/8"	Male		.312"	0.90	2-7/16"	1"	2-3/16"	1/2"
8		Female							
9		Male	Female						
10	1/2"	Female						2-3/16"	
11		Male							
12		Male	Female						

## Ordering Information

3000-4SS-X

Part Number

Valve Number	Port Configuration	Part Number
1	1/8" Female x 1/8" Female	3000-1
2	1/8" Male x 1/8" Male	3000-2
3	1/8" Male x 1/8" Female	3000-3
4	1/4" Female x 1/4" Female	3000-4
5	1/4" Male x 1/4" Male	3000-5
6	1/4" Male x 1/4" Female	3000-6
7	3/8" Male x 3/8" Male	3000-7
8	3/8" Female x 3/8" Female	3000-8
9	3/8" Male x 3/8" Female	3000-9
10	1/2" Female x 1/2" Female	3000-10
11	1/2" Male x 1/2" Male	3000-11
12	1/2" Male x 1/2" Female	3000-12

NPT threads per ANSO/ASME B1.20.1. For other thread configurations, consult factory.

Material Code

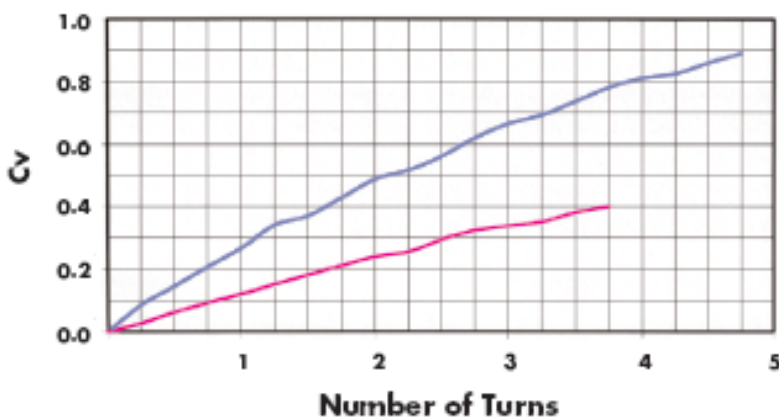
B - Brass  
 SS - 303 Stainless Steel  
 SSS - 316 Stainless Steel

Options

P - Panel Mount (9/16" Hole, 3/16" Max. Panel Thickness)  
 M - Plastic Knob (1-3/8" Diameter)  
 N - Kel-F Soft Stem Tip (Standard with SS valves)  
 T - PTFE Soft Stem Tip  
 Q - Stainless Steel Stem  
 QN - Stainless Steel Stem with Kel-F Soft Stem Tip  
 C - Screw Driver Slotted Stem  
 QC - Stainless Steel Screw Driver Slotted Stem  
 X - Cleaned and Packaged for Oxygen Service

**Shaded Options are available for Globe Valves Only (1-7)**

## Flow Coefficient (Cv) @ Turns Open



3/16" Orifice, Valves 1-7

5/16" Orifice, Valves 8-12

PROPER COMPONENT SELECTION – When specifying a component, the total system design must be considered to ensure safe and trouble-free performance. Intended component function, materials compatibility, pressure ratings, installation, environment and maintenance are the responsibility of the system designer.

**GENERANT**

[www.generant.com](http://www.generant.com)

1865 Route 23 South PO Box 768 Butler, New Jersey 07405 973.838.6500 Fax 973.838.4888